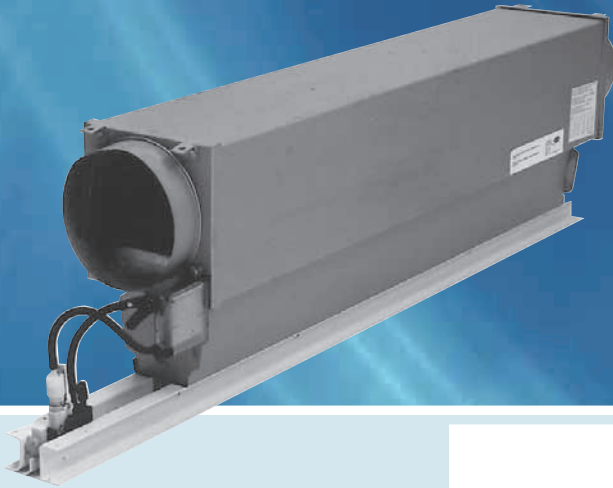


MODULINE AIR DIFFUSERS



Air treatment

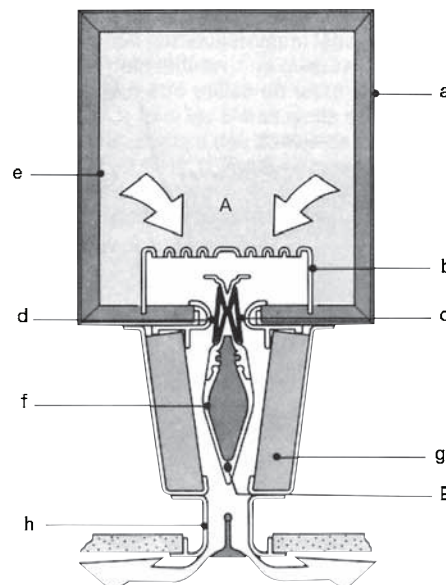
37A

Accessories

- One- or two-way T-bar or continuous, 2-way return air diffuser (AG, AH)
- One- or two-way T-bar or continuous dummy units (AG, AH)
- End trimming piece (all)
- Alignment channels (AG, AS)
- Plastic blanking piece (all)
- Constant volume control kit (all)
- Variable air volume controller with Moduline thermostat (all)
- Variable air volume control with room thermostat (all)
- Minimum air flow controller
- Warm-up switch
- Various suspension accessories
- Various plenum accessories
- Various control accessories

Features

- Three types of terminals with nominal air flows from 19 to 236 l/s.
- Wide range of capacities, weights and physical dimensions.
- Air distribution and air volume flow control, constant or variable volume are integrated in the terminal itself.
- One-piece, self-contained units, can be used in any type of air treatment unit: ducted central station air handlers or packaged indoor or outdoor air conditioners.
- Conditioned air is distributed through linear diffuser slots in the ceiling.
- Available in sizes to match standard false ceiling modules.
- Galvanised steel plenums (a).
- Perforated sheet steel distribution plate (b).
- Neoprene bellows which expand and contract with the control pressure (c).
- Felt-coated bellows stops control the noise level (d).
- Thermal and acoustic insulation (e).
- Aerodynamically profiled central air guide (f).
- Acoustic insulation, attenuates air flow noise (g).
- Air diffuser assembly of extruded aluminium (h).



37AG – nominal lengths 1200 and 1500 mm (active length 900 mm), air flow 56 l/s				
Nominal plenum height	mm	180	230	280
Plenum size	mm	178 x 178	229 x 229	279 x 279
Overall unit height	mm	327	378	428
Width	mm	181.5	232.5	282.5
Weight	kg	10	12	16

37AG – nominal length 1500 mm (active length 1200 mm) – air flow 74 l/s				
Nominal plenum height	mm	180	230	280
Plenum size	mm	178 x 178	229 x 229	279 x 279
Overall unit height	mm	327	378	428
Width	mm	181.5	232.5	282.5
Weight	kg	12	15	19

37AH – nominal lengths of 1200 and 1500 mm (active length 900 mm) – air flow 97 l/s				
Nominal plenum height	mm	230	280	
Plenum size	mm	229 x 229	279 x 279	
Overall unit height	mm	388	438	
Width	mm	232.5	282.5	
Weight	kg	15	16	

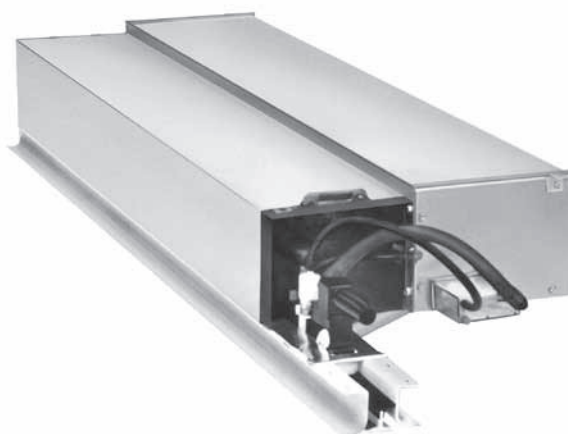
37AS – nominal lengths of 1200 and 1500 mm (active length 900 mm) – air flow 56 l/s				
Nominal plenum height	mm		127	
Plenum size	mm		127 x 178	
Overall unit height	mm		170	
Width	mm		288	
Weight	kg		11.5	



37AG: Air flow range: 19–173 l/s



37AH: Air flow range: 47–236 l/s



37AS: Air flow range: 19–78 l/s

